

IPD Launch

USB desktop controllers

Distinctive features and specifications

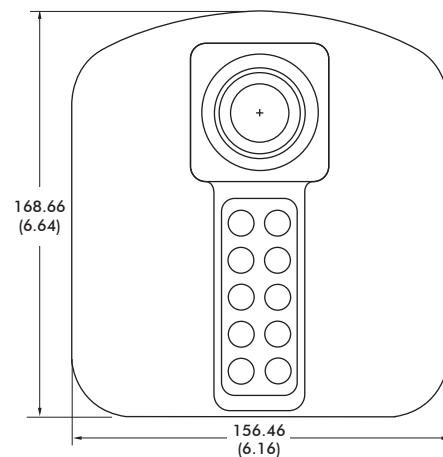
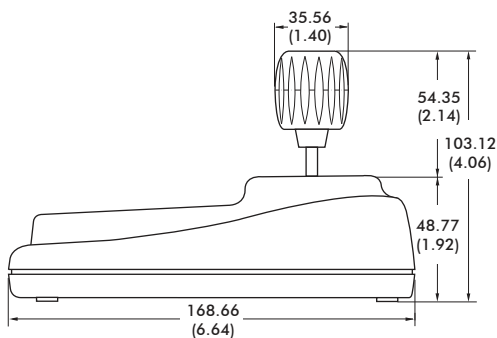


- ❑ 3 axis joystick for PTZ control
- ❑ USB 1.1 HID compliant “game controller”
- ❑ Ten pushbutton switches
- ❑ Easy to use and operate

- Joystick performance: • Resistive three axis joystick
 - X/Y/Z for positioning control
- Joystick travel: • 36° for X and Y axis
 - 56° for Z axis
- Centering: Dual spring, omni-directional
- Joystick shaft: Nickel plated brass
- Joystick boot: Thermostatic elastomer
- Joystick handle: Glass filled nylon
- Pushbutton performance: 10 tactile pushbuttons on housing rated for 3,000,000 life cycles
- Desktop housing: High impact ABS
- Power: • Via USB interface (5V DC)
 - Consumption 32mA
- Operating conditions: -25 to +85°C (-13 to +185°F)

NOTE: All values are nominal.

- Approvals: • EN 55024:1998, EN 55022, CE
 - FCC Part 15 Subpart B Class B
 - RoHs compliant
- Weight: 435 g (0.96lb)
- Interface: USB port
- Connectors: • USB Type A Male
 - Cable Length: 2m; 6ft. 6.8in.
- Systems support integration: Windows 7, Vista, XP, 2000, Windows 8, OSX, Linux
- Supported protocols:
 - USB HID 1.1 game controller
 - Direct X (Gaming Control)
 - Joystick: Three HID axis
 - Pushbuttons: 10 HID buttons
 - Uses standard DirectX HID drivers
 - Connects directly to workstation PC
- Environmental: For indoor use only



NOTES:

Dimensions are in mm/(inch).

To order the IP Desktop please refer to Part Number 100-450.