

# LVC MOS/LVTTL FANOUT BUFFER/DIVIDER

ICS87004-03

## GENERAL DESCRIPTION



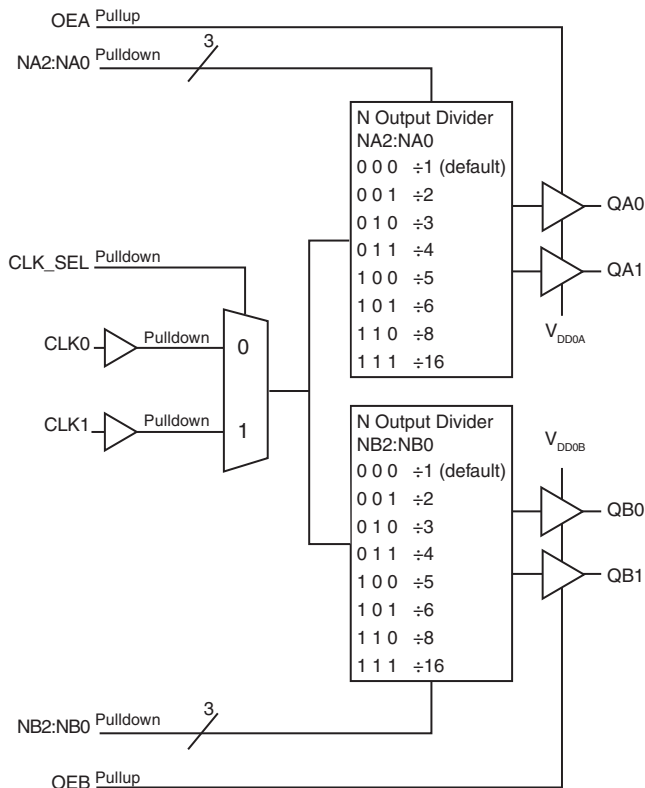
The ICS87004-03 is a low skew,  $\div 1$ ,  $\div 2$   $\div 3$ ,  $\div 4$   $\div 5$ ,  $\div 6$   $\div 8$ ,  $\div 16$  LVC MOS/LVTTL Fanout Buffer/Divider and a member of the HiPerClockS™ family of High Performance Clock Solutions from IDT. The ICS87004-03 has selectable clock inputs that accept single ended input levels. Output enable pin controls whether the output is in the active or high impedance state.

The ICS87004-03 is characterized at 3.3V, 2.5V and mixed 3.3V/2.5V, 3.3V/1.8V, 2.5V/1.8V input/output supply operating modes. Guaranteed bank, output, and part-to-part skew characteristics make the ICS87004-03 ideal for those applications demanding well defined performance and repeatability.

## FEATURES

- Two banks of two LVC MOS/LVTTL outputs, 15Ω typical output impedance
- Selectable LVC MOS/LVTTL clock inputs
- LVC MOS\_CLK supports the following input types: LVC MOS, LVTTL
- Maximum output frequency: 200MHz
- Output skew: 100ps (typical)
- Bank skew: 50ps (typical)
- Part-to-part skew: TBD
- Power supply modes:  
Core/Output  
3.3V/3.3V  
3.3V/2.5V  
3.3V/1.8V  
2.5V/2.5V  
2.5V/1.8V
- 0°C to 70°C ambient operating temperature
- Available in both standard (RoHS 5) and lead-free (RoHS 6) packages

## BLOCK DIAGRAM



## PIN ASSIGNMENT

V <sub>DD</sub>	1	20	OEA
NA2	2	19	V <sub>DD0A</sub>
NA1	3	18	QA0
NA0	4	17	QA1
CLK0	5	16	GND
CLK_SEL	6	15	QB1
CLK1	7	14	QB0
NB2	8	13	V <sub>DD0B</sub>
NB1	9	12	GND
NB0	10	11	OEB

**ICS87004-03**  
**20-Lead TSSOP**  
 6.50mm x 4.40mm x 0.92mm package body  
**G Package**  
 Top View

The Preliminary Information presented herein represents a product in pre-production. The noted characteristics are based on initial product characterization and/or qualification. Integrated Device Technology, Incorporated (IDT) reserves the right to change any circuitry or specifications without notice.

TABLE 1. PIN DESCRIPTIONS

Number	Name	Type		Description
1	V <sub>DD</sub>	Power		Power supply pin.
2, 3, 4	NA2, NA1, NA0	Input	Pulldown	N divider pins for Bank A outputs. LVCMOS / LVTTL interface levels.
5, 7	CLK0, CLK1	Input	Pulldown	LVCMOS / LVTTL clock inputs.
6	CLK_SEL	Input	Pulldown	Clock select input. When HIGH, selects CLK1 input. When LOW, selects CLK0 input. LVCMOS / LVTTL interface levels.
8, 9, 10	NB2, NB1, NB0	Input	Pulldown	N divider pins for Bank B outputs. LVCMOS / LVTTL interface levels.
11	OEB	Input	Pullup	Output enable. When LOW, Bank B outputs are in HIGH impedance state. When HIGH, Bank B outputs are active. LVCMOS / LVTTL interface levels.
12, 16	GND	Power		Power supply ground.
13	V <sub>DDOB</sub>	Power		Output supply pin for Bank B outputs.
14, 15	QB0, QB1	Output		Bank B clock outputs. LVCMOS / LVTTL interface levels.
17, 18	QA1, QA0	Output		Bank A clock outputs. LVCMOS / LVTTL interface levels.
19	V <sub>DDOA</sub>	Power		Bank A output supply pin.
20	OEA	Input	Pullup	Output enable. When LOW, Bank A outputs are in HIGH impedance state. When HIGH, Bank A outputs are active. LVCMOS / LVTTL interface levels.

NOTE: *Pullup* and *Pulldown* refer to internal input resistors. See Table 2, Pin Characteristics, for typical values.

TABLE 2. PIN CHARACTERISTICS

Symbol	Parameter	Test Conditions	Minimum	Typical	Maximum	Units
C <sub>IN</sub>	Input Capacitance			4		pF
R <sub>PULLUP</sub>	Input Pullup Resistor			51		kΩ
R <sub>PULLDOWN</sub>	Input Pulldown Resistor			51		kΩ
C <sub>PD</sub>	Power Dissipation Capacitance (per output)			TBD		pF
R <sub>OUT</sub>	Output Impedance			15		Ω

TABLE 3. PROGRAMMABLE OUTPUT DIVIDER FUNCTION TABLE

Inputs			N Divider Value	Output Frequency (MHz)	
N2	N1	N0		Minimum	Maximum
0	0	0	÷1 (default)		
0	0	1	÷2		
0	1	0	÷3		
0	1	1	÷4		
1	0	0	÷5		
1	0	1	÷6		
1	1	0	÷8		
1	1	1	÷16		

NOTE: Some combinations of Bank A and Bank B output divider selections are not synchronous.

## ABSOLUTE MAXIMUM RATINGS

Supply Voltage, $V_{DD}$	4.6V
Inputs, $V_I$	-0.5V to $V_{DD} + 0.5V$
Outputs, $V_O$	-0.5V to $V_{DD} + 0.5V$
Package Thermal Impedance, $\theta_{JA}$	93.1°C/W (0 lfpm)
Storage Temperature, $T_{STG}$	-65°C to 150°C

NOTE: Stresses beyond those listed under Absolute Maximum Ratings may cause permanent damage to the device. These ratings are stress specifications only. Functional operation of product at these conditions or any conditions beyond those listed in the *DC Characteristics* or *AC Characteristics* is not implied. Exposure to absolute maximum rating conditions for extended periods may affect product reliability.

TABLE 4A. POWER SUPPLY DC CHARACTERISTICS,  $V_{DD} = V_{DDOA} = V_{DDOB} = 3.3V \pm 5\%$ ,  $T_A = 0^\circ\text{C}$  TO  $70^\circ\text{C}$ 

Symbol	Parameter	Test Conditions	Minimum	Typical	Maximum	Units
$V_{DD}$	Power Supply Voltage		3.135	3.3	3.465	V
$V_{DDOA}, V_{DDOB}$	Output Supply Voltage		3.135	3.3	3.465	V
$I_{DD}$	Power Supply Current			40		mA
$I_{DDOA}, I_{DDOB}$	Output Supply Current			1		mA

TABLE 4B. POWER SUPPLY DC CHARACTERISTICS,  $V_{DD} = 3.3V \pm 5\%$ ,  $V_{DDOA} = V_{DDOB} = 2.5V \pm 5\%$ ,  $T_A = 0^\circ\text{C}$  TO  $70^\circ\text{C}$ 

Symbol	Parameter	Test Conditions	Minimum	Typical	Maximum	Units
$V_{DD}$	Power Supply Voltage		3.135	3.3	3.465	V
$V_{DDOA}, V_{DDOB}$	Output Supply Voltage		2.375	2.5	2.625	V
$I_{DD}$	Power Supply Current			40		mA
$I_{DDOA}, I_{DDOB}$	Output Supply Current			1		mA

TABLE 4C. POWER SUPPLY DC CHARACTERISTICS,  $V_{DD} = 3.3V \pm 5\%$ ,  $V_{DDOA} = V_{DDOB} = 1.8V \pm 0.15V$ ,  $T_A = 0^\circ\text{C}$  TO  $70^\circ\text{C}$ 

Symbol	Parameter	Test Conditions	Minimum	Typical	Maximum	Units
$V_{DD}$	Power Supply Voltage		3.135	3.3	3.465	V
$V_{DDOA}, V_{DDOB}$	Output Supply Voltage		1.65	1.8	1.95	V
$I_{DD}$	Power Supply Current			40		mA
$I_{DDOA}, I_{DDOB}$	Output Supply Current			1		mA

TABLE 4D. POWER SUPPLY DC CHARACTERISTICS,  $V_{DD} = V_{DDOA} = V_{DDOB} = 2.5V \pm 5\%$ ,  $T_A = 0^\circ\text{C}$  TO  $70^\circ\text{C}$ 

Symbol	Parameter	Test Conditions	Minimum	Typical	Maximum	Units
$V_{DD}$	Power Supply Voltage		2.375	2.5	2.625	V
$V_{DDOA}, V_{DDOB}$	Output Supply Voltage		2.375	2.5	2.625	V
$I_{DD}$	Power Supply Current			39		mA
$I_{DDOA}, I_{DDOB}$	Output Supply Current			1		mA

TABLE 4E. POWER SUPPLY DC CHARACTERISTICS,  $V_{DD} = 2.5V \pm 5\%$ ,  $V_{DDOA} = V_{DDOB} = 1.8V \pm 0.15V$ ,  $T_A = 0^\circ\text{C}$  TO  $70^\circ\text{C}$ 

Symbol	Parameter	Test Conditions	Minimum	Typical	Maximum	Units
$V_{DD}$	Power Supply Voltage		2.375	2.5	2.625	V
$V_{DDOA}, V_{DDOB}$	Output Supply Voltage		1.65	1.8	1.95	V
$I_{DD}$	Power Supply Current			39		mA
$I_{DDOA}, I_{DDOB}$	Output Supply Current			1		mA

**TABLE 4F. LVCMOS/LVTTL DC CHARACTERISTICS,  $V_{DD} = 3.3V \pm 5\%$  OR  $2.5V \pm 5\%$   $V_{DDOA} = V_{DDOB} = 3.3V \pm 5\%$ ,  $2.5V \pm 5\%$  OR  $1.8V \pm 0.15V$ ,  $T_A = 0^\circ C$  TO  $70^\circ C$**

Symbol	Parameter	Test Conditions	Minimum	Typical	Maximum	Units
$V_{IH}$	Input High Voltage	$V_{DD} = 3.3V$	2		$V_{DD} + 0.3$	V
		$V_{DD} = 2.5V$	1.7		$V_{DD} + 0.3$	V
$V_{IL}$	Input Low Voltage	$V_{DD} = 3.3V$	-0.3		0.8	V
		$V_{DD} = 2.5V$	-0.3		0.7	V
$I_{IH}$	Input High Current	CLK0, CLK1, CLK_SEL, NA2:NA0, NB2:NB0 $V_{DD} = V_{IN} = 3.465V$ or 2.625V			150	$\mu A$
		OEA, OEB $V_{DD} = V_{IN} = 3.465V$ or 2.625V			5	$\mu A$
$I_{IL}$	Input Low Current	CLK0, CLK1, CLK_SEL, NA2:NA0, NB2:NB0 $V_{DD} = 3.465V$ or 2.625V, $V_{IN} = 0V$	-5			$\mu A$
		OEA, OEB $V_{DD} = 3.465V$ or 2.625V, $V_{IN} = 0V$	-150			$\mu A$
$V_{OH}$	Output High Voltage; NOTE 1	$V_{DDOX} = 3.3V \pm 5\%$	2.6			V
		$V_{DDOX} = 2.5V \pm 5\%$	1.8			V
		$V_{DDOX} = 1.8V \pm 0.15V$	1.5			V
$V_{OL}$	Output Low Voltage; NOTE 1	$V_{DDOX} = 3.3V \pm 5\%$			0.5	V
		$V_{DDOX} = 2.5V \pm 5\%$			0.5	V
		$V_{DDOX} = 1.8V \pm 0.15V$			0.4	V
$I_{OZL}$	Output Hi-Z Current Low		-5			$\mu A$
$I_{OZH}$	Output Hi-Z Current High				5	$\mu A$

NOTE 1: Outputs terminated with  $50\Omega$  to  $V_{DDOX}/2$ . See Parameter Measurement Information, Output Load Test Circuit.

**TABLE 5A. AC CHARACTERISTICS,  $V_{DD} = V_{DDOA} = V_{DDOB} = 3.3V \pm 5\%$ ,  $T_A = 0^\circ C$  TO  $70^\circ C$**

Symbol	Parameter	Test Conditions	Minimum	Typical	Maximum	Units
$f_{MAX}$	Output Frequency				200	MHz
$t_{PD}$	Propagation Delay, NOTE 1			4.5		ns
$t_{sk(o)}$	Output Skew; NOTE 2, 3			100		ps
$t_{sk(pp)}$	Part-to-Part Skew; NOTE 3, 4			TBD		ps
$t_{sk(b)}$	Bank Skew; NOTE 3, 5			50		ps
$t_R / t_F$	Output Rise/Fall Time; NOTE 6	20% to 80%		800		ps
odc	Output Duty Cycle			50		%
$t_{EN}$	Output Enable Time; NOTE 6				5	ns
$t_{DIS}$	Output Disable Time; NOTE 6				5	ns

All parameters measured at  $f \leq \text{TBD MHz}$  unless noted otherwise.

NOTE 1: Measured from  $V_{DD}/2$  of the input to  $V_{DDOX}/2$  of the output.

NOTE 2: Defined as skew between outputs at the same supply voltage and with equal load conditions.

Measured at  $V_{DDOX}/2$ .

NOTE 3: This parameter is defined in accordance with JEDEC Standard 65.

NOTE 4: Defined as skew between outputs on different devices operating at the same supply voltages and with equal load conditions. Using the same type of input on each device, the output is measured at  $V_{DDOX}/2$ .

NOTE 5: Defined as skew within a bank with equal load conditions.

NOTE 6: These parameters are guaranteed by characterization. Not tested in production.

**TABLE 5B. AC CHARACTERISTICS,  $V_{DD} = 3.3V \pm 5\%$ ,  $V_{DDOA} = V_{DDOB} = 2.5V \pm 5\%$ ,  $T_A = 0^\circ\text{C}$  TO  $70^\circ\text{C}$** 

Symbol	Parameter	Test Conditions	Minimum	Typical	Maximum	Units
$f_{MAX}$	Output Frequency				200	MHz
$t_{PD}$	Propagation Delay, NOTE 1			4.5		ns
$t_{sk(o)}$	Output Skew; NOTE 2, 3			100		ps
$t_{sk(pp)}$	Part-to-Part Skew; NOTE 3, 4			TBD		ps
$t_{sk(b)}$	Bank Skew; NOTE 3, 5			50		ps
$t_R / t_F$	Output Rise/Fall Time; NOTE 6	20% to 80%		850		ps
odc	Output Duty Cycle			50		%
$t_{EN}$	Output Enable Time; NOTE 6				5	ns
$t_{DIS}$	Output Disable Time; NOTE 6				5	ns

All parameters measured at  $f \leq \text{TBDMHz}$  unless noted otherwise.

NOTE 1: Measured from  $V_{DD}/2$  of the input to  $V_{DDOX}/2$  of the output.

NOTE 2: Defined as skew between outputs at the same supply voltage and with equal load conditions.

Measured at  $V_{DDOX}/2$ .

NOTE 3: This parameter is defined in accordance with JEDEC Standard 65.

NOTE 4: Defined as skew between outputs on different devices operating at the same supply voltages and with equal load conditions. Using the same type of input on each device, the output is measured at  $V_{DDOX}/2$ .

NOTE 5: Defined as skew within a bank with equal load conditions.

NOTE 6: These parameters are guaranteed by characterization. Not tested in production.

**TABLE 5C. AC CHARACTERISTICS,  $V_{DD} = 3.3V \pm 5\%$ ,  $V_{DDOA} = V_{DDOB} = 1.8V \pm 0.15V$ ,  $T_A = 0^\circ\text{C}$  TO  $70^\circ\text{C}$** 

Symbol	Parameter	Test Conditions	Minimum	Typical	Maximum	Units
$f_{MAX}$	Output Frequency				200	MHz
$t_{PD}$	Propagation Delay, NOTE 1			4.5		ns
$t_{sk(o)}$	Output Skew; NOTE 2, 3			100		ps
$t_{sk(pp)}$	Part-to-Part Skew; NOTE 3, 4			TBD		ps
$t_{sk(b)}$	Bank Skew; NOTE 3, 5			50		ps
$t_R / t_F$	Output Rise/Fall Time; NOTE 6	20% to 80%		900		ps
odc	Output Duty Cycle			50		%
$t_{EN}$	Output Enable Time; NOTE 6				5	ns
$t_{DIS}$	Output Disable Time; NOTE 6				5	ns

All parameters measured at  $f \leq \text{TBDMHz}$  unless noted otherwise.

NOTE 1: Measured from  $V_{DD}/2$  of the input to  $V_{DDOX}/2$  of the output.

NOTE 2: Defined as skew between outputs at the same supply voltage and with equal load conditions.

Measured at  $V_{DDOX}/2$ .

NOTE 3: This parameter is defined in accordance with JEDEC Standard 65.

NOTE 4: Defined as skew between outputs on different devices operating at the same supply voltages and with equal load conditions. Using the same type of input on each device, the output is measured at  $V_{DDOX}/2$ .

NOTE 5: Defined as skew within a bank with equal load conditions.

NOTE 6: These parameters are guaranteed by characterization. Not tested in production.

**TABLE 5D. AC CHARACTERISTICS,  $V_{DD} = V_{DDOA} = V_{DDOB} = 2.5V \pm 5\%$ ,  $T_A = 0^\circ C$  TO  $70^\circ C$** 

Symbol	Parameter	Test Conditions	Minimum	Typical	Maximum	Units
$f_{MAX}$	Output Frequency				200	MHz
$t_{PD}$	Propagation Delay, NOTE 1			4.5		ns
$tsk(o)$	Output Skew; NOTE 2, 3			100		ps
$tsk(pp)$	Part-to-Part Skew; NOTE 3, 4			TBD		ps
$tsk(b)$	Bank Skew; NOTE 3, 5			50		ps
$t_R / t_F$	Output Rise/Fall Time; NOTE 6	20% to 80%		950		ps
odc	Output Duty Cycle			50		%
$t_{EN}$	Output Enable Time; NOTE 6				5	ns
$t_{DIS}$	Output Disable Time; NOTE 6				5	ns

All parameters measured at  $f \leq$  TBDMHz unless noted otherwise.

NOTE 1: Measured from  $V_{DD}/2$  of the input to  $V_{DDOX}/2$  of the output.

NOTE 2: Defined as skew between outputs at the same supply voltage and with equal load conditions.

Measured at  $V_{DDOX}/2$ .

NOTE 3: This parameter is defined in accordance with JEDEC Standard 65.

NOTE 4: Defined as skew between outputs on different devices operating at the same supply voltages and with equal load conditions. Using the same type of input on each device, the output is measured at  $V_{DDOX}/2$ .

NOTE 5: Defined as skew within a bank with equal load conditions.

NOTE 6: These parameters are guaranteed by characterization. Not tested in production.

**TABLE 5E. AC CHARACTERISTICS,  $V_{DD} = 2.5V \pm 5\%$ ,  $V_{DDOA} = V_{DDOB} = 1.8V \pm 0.15V$ ,  $T_A = 0^\circ C$  TO  $70^\circ C$** 

Symbol	Parameter	Test Conditions	Minimum	Typical	Maximum	Units
$f_{MAX}$	Output Frequency				200	MHz
$t_{PD}$	Propagation Delay, NOTE 1			4.5		ns
$tsk(o)$	Output Skew; NOTE 2, 3			100		ps
$tsk(pp)$	Part-to-Part Skew; NOTE 3, 4			TBD		ps
$tsk(b)$	Bank Skew; NOTE 3, 5			50		ps
$t_R / t_F$	Output Rise/Fall Time; NOTE 6	20% to 80%		1000		ps
odc	Output Duty Cycle			50		%
$t_{EN}$	Output Enable Time; NOTE 6				5	ns
$t_{DIS}$	Output Disable Time; NOTE 6				5	ns

All parameters measured at  $f \leq$  TBDMHz unless noted otherwise.

NOTE 1: Measured from  $V_{DD}/2$  of the input to  $V_{DDOX}/2$  of the output.

NOTE 2: Defined as skew between outputs at the same supply voltage and with equal load conditions.

Measured at  $V_{DDOX}/2$ .

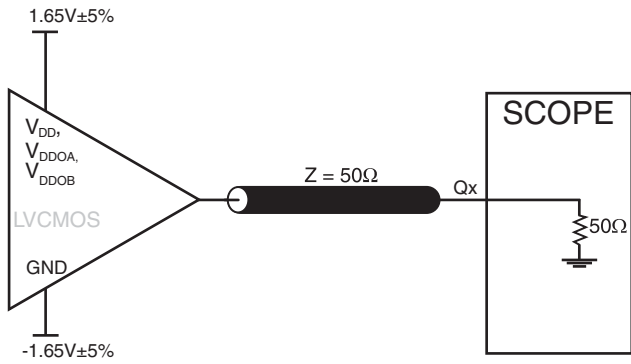
NOTE 3: This parameter is defined in accordance with JEDEC Standard 65.

NOTE 4: Defined as skew between outputs on different devices operating at the same supply voltages and with equal load conditions. Using the same type of input on each device, the output is measured at  $V_{DDOX}/2$ .

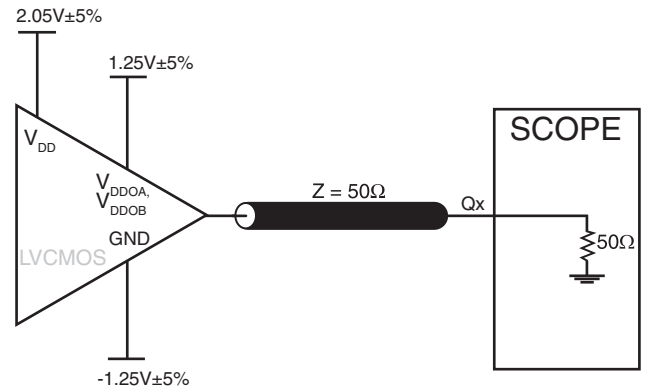
NOTE 5: Defined as skew within a bank with equal load conditions.

NOTE 6: These parameters are guaranteed by characterization. Not tested in production.

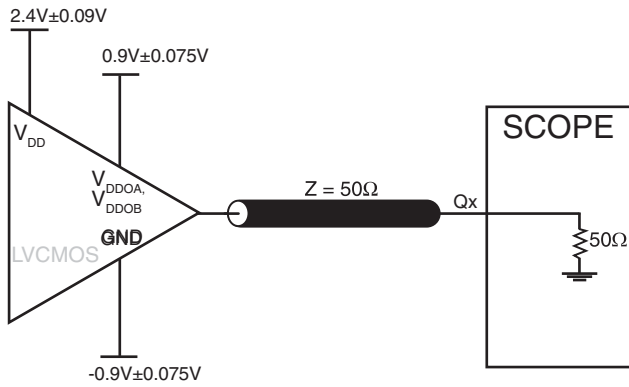
# PARAMETER MEASUREMENT INFORMATION



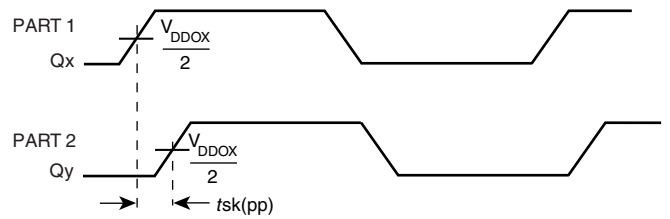
3.3V CORE/3.3V OUTPUT LOAD AC TEST CIRCUIT



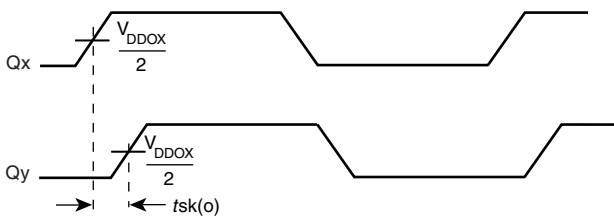
3.3V CORE/ 2.5V OUTPUT LOAD AC TEST CIRCUIT



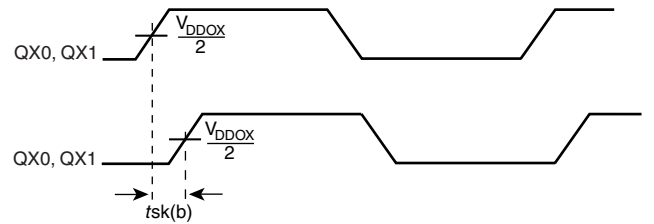
3.3V CORE/ 1.8V OUTPUT LOAD AC TEST CIRCUIT



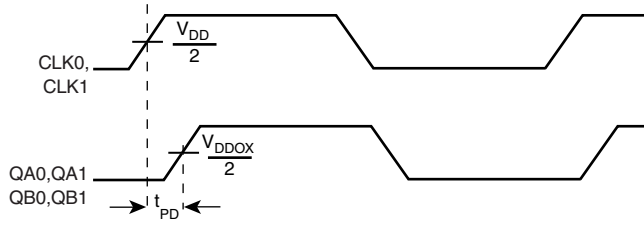
PART-TO-PART SKEW



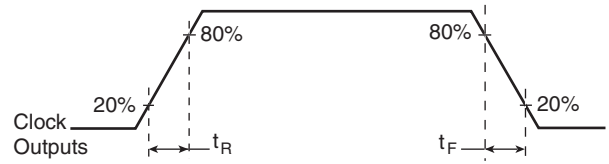
OUTPUT SKEW



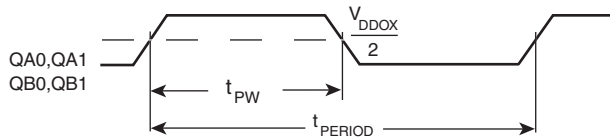
BANK SKEW



PROPAGATION DELAY



OUTPUT RISE/FALL TIME



$$\text{odc} = \frac{t_{\text{PW}}}{t_{\text{PERIOD}}} \times 100\%$$

OUTPUT DUTY CYCLE/PULSE WIDTH/PERIOD



## APPLICATION INFORMATION

### RECOMMENDATIONS FOR UNUSED INPUT AND OUTPUT PINS

#### INPUTS:

##### CLK INPUT:

For applications not requiring the use of a clock input, it can be left floating. Though not required, but for additional protection, a 1k $\Omega$  resistor can be tied from the CLK input to ground.

##### LVCMOS CONTROL PINS:

All control pins have internal pull-ups or pull-downs; additional resistance is not required but can be added for additional protection. A 1k $\Omega$  resistor can be used.

#### OUTPUTS:

##### LVCMOS OUTPUT:

All unused LVCMOS output can be left floating. There should be no trace attached.

## RELIABILITY INFORMATION

TABLE 6.  $\theta_{JA}$  vs. AIR FLOW TABLE FOR 20 LEAD TSSOP

	$\theta_{JA}$ by Velocity (Linear Feet per Minute)		
	0	200	500
Multi-Layer PCB, JEDEC Standard Test Boards	93.1°C/W	88.7°C/W	86.6°C/W

### TRANSISTOR COUNT

The transistor count for ICS87004-03 is: 2781

## PACKAGE OUTLINE - G SUFFIX FOR 20 LEAD TSSOP

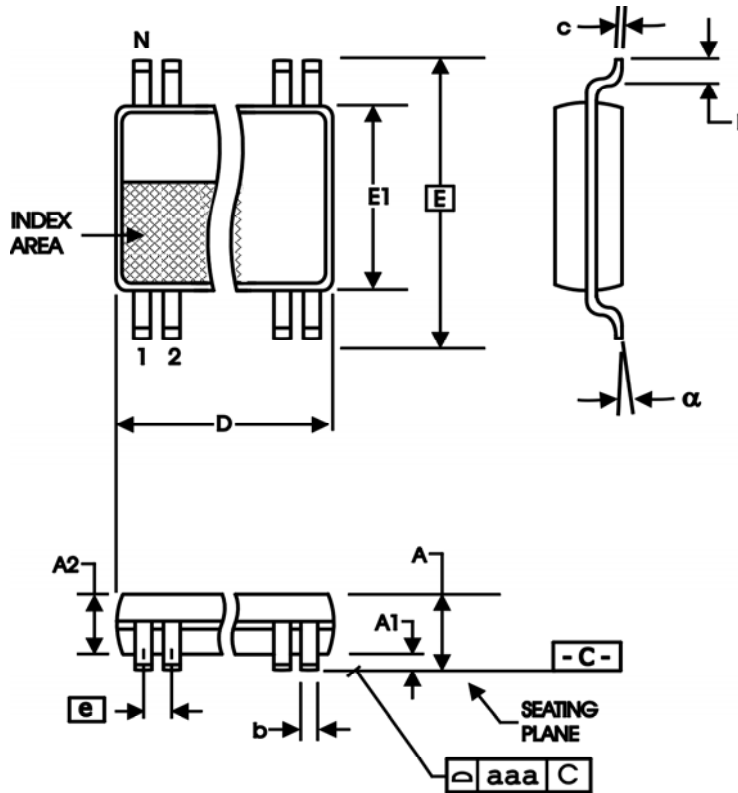


TABLE 7. PACKAGE DIMENSIONS

SYMBOL	Millimeters	
	MIN	MAX
N	20	
A	--	1.20
A1	0.05	0.15
A2	0.80	1.05
b	0.19	0.30
c	0.09	0.20
D	6.40	6.60
E	6.40 BASIC	
E1	4.30	4.50
e	0.65 BASIC	
L	0.45	0.75
$\alpha$	0°	8°
aaa	--	0.10

Reference Document: JEDEC Publication 95, MO-153

TABLE 8. ORDERING INFORMATION

Part/Order Number	Marking	Package	Shipping Packaging	Temperature
ICS87004BG-03	ICS87004BG03	20 Lead TSSOP	tube	0°C to 70°C
ICS87004BG-03T	ICS87004BG03	20 Lead TSSOP	2500 tape & reel	0°C to 70°C
ICS87004BG-03LF	ICS87004B03L	20 Lead "Lead-Free" TSSOP	tube	0°C to 70°C
ICS87004BG-03LFT	ICS87004B03L	20 Lead "Lead-Free" TSSOP	2500 tape & reel	0°C to 70°C

NOTE: Parts that are ordered with an "LF" suffix to the part number are the Pb-Free configuration and are RoHS compliant.

While the information presented herein has been checked for both accuracy and reliability, Integrated Device Technology, Incorporated (IDT) assumes no responsibility for either its use or for infringement of any patents or other rights of third parties, which would result from its use. No other circuits, patents, or licenses are implied. This product is intended for use in normal commercial applications. Any other applications such as those requiring extended temperature ranges, high reliability or other extraordinary environmental requirements are not recommended without additional processing by IDT. IDT reserves the right to change any circuitry or specifications without notice. IDT does not authorize or warrant any IDT product for use in life support devices or critical medical instruments.

Innovate with IDT and accelerate your future networks. Contact:

[www.IDT.com](http://www.IDT.com)

**For Sales**

800-345-7015  
408-284-8200  
Fax: 408-284-2775

**For Tech Support**

[netcom@idt.com](mailto:netcom@idt.com)  
480-763-2056

---

**Corporate Headquarters**

Integrated Device Technology, Inc.  
6024 Silver Creek Valley Road  
San Jose, CA 95138  
United States  
800 345 7015  
+408 284 8200 (outside U.S.)

**Asia Pacific and Japan**

Integrated Device Technology  
Singapore (1997) Pte. Ltd.  
Reg. No. 199707558G  
435 Orchard Road  
#20-03 Wisma Atria  
Singapore 238877  
+65 6 887 5505

**Europe**

IDT Europe, Limited  
321 Kingston Road  
Leatherhead, Surrey  
KT22 7TU  
England  
+44 (0) 1372 363 339  
Fax: +44 (0) 1372 378851



[www.IDT.com](http://www.IDT.com)